

Main features

Standard \varnothing 63 encoder series for industrial applications with high mechanical resistance requirements. These encoders are designed to support high radial and axial shaft load and they can be mounted by means of flanges or servo-fasteners.

- Up to 10000 ppr with zero signal for EL series, up to 1024 ppr for EH series
- Several output types available
- Up to 28 V DC power supply for EL series and up to 24 V DC for EH series
- Up to 300 kHz output frequency for EL series and up to 100 kHz for EH series
- Cable or connector output
- Several flanges available
- Up to 6000 RPM rotation speed
- Up to IP66 sealing



Ordering code

full stop to separate special versions

EL 63 A 1000 Z 5/28 P 6 X 6 M R . XXX

incremental encoder series **EL**
incremental encoder series **EH**

size **63**

Type of flange

EH - EL 63 A model **A**
EH - EL 63 D model **D**
EH - EL 63 E model **E**

Resolution

(EL series) ppr from **1** to **10000**
(EH series) ppr from **40** to **1024**
please directly contact our offices for pulses availability

Zero pulse

without zero pulse **S**
with zero pulse **Z**

Power supply

(EH series) 5 V DC **5**
(EH series) 8÷24 V DC **8/24**
(EL series) 5÷28 V DC **5/28**
line driver available only with 5 V DC or 8÷24 V DC power supply

special version code numbered from 001 to 999

R radial
A axial

P cable output (standard length 1.5 m)

M M connector output

J J connector output

Max. rotation speed

3 3000 RPM
6 6000 RPM *3000 RPM max. with "S" enclosure rating*

Enclosure rating

X IP54 standard
S IP66 optional

Shaft diameter

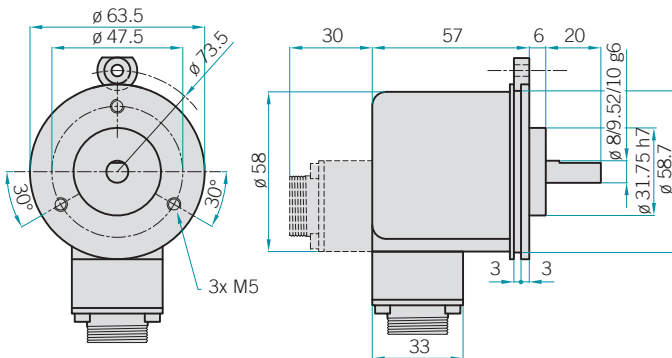
8 \varnothing 8 mm
9 \varnothing 9.52 mm (3/8")
10 \varnothing 10 mm

Output type

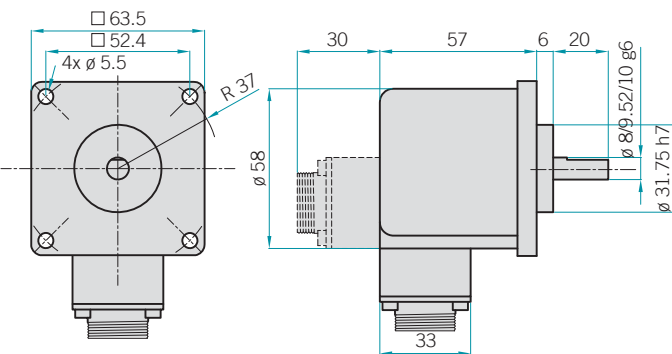
N NPN
C NPN open collector
P push-pull
L line driver

please refer to page 92 for optionals about output types

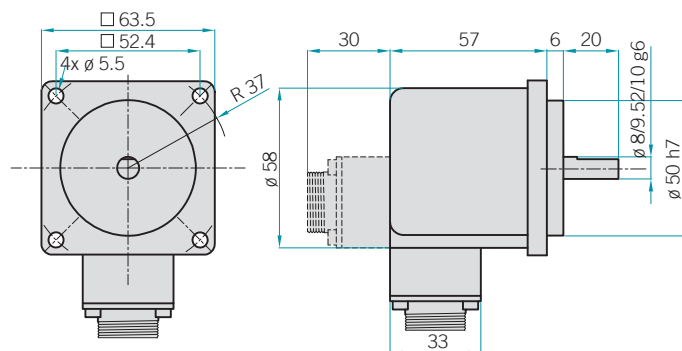
EH - EL 63 A



EH - EL 63 D



EH - EL 63 E



Electrical specifications (EL series)

Resolution	from 1 to 10000 ppr
Power supply	5÷28 V DC line driver available only with 5 V DC or 8÷24 V DC power supply
Current consumption without load	100 mA max.
Max. load current	50 mA for channel 20 mA for channel (line driver)
Output type	NPN / NPN open collector push-pull / line driver
Max. output frequency	300 kHz
Operating frequency	$F = \frac{\text{RPM} \cdot \text{Resolution}}{60}$

Electrical specifications (EH series)

Resolution	from 40 to 1024 ppr
Power supply	5 V DC 8÷24 V DC
Current consumption without load	100 mA max.
Max. load current	50 mA for channel 20 mA for channel (line driver)
Output type	NPN / NPN open collector push-pull / line driver
Max. output frequency	100 kHz
Operating frequency	$F = \frac{\text{RPM} \cdot \text{Resolution}}{60}$

Mechanical specifications

Shaft diameter	ø 8 / 9.52 / 10 mm
Enclosure rating	IP54 standard IP66 optional
Max. rotation speed	3000 RPM 6000 RPM 3000 RPM max. with "S" enclosure rating
Shock	50 G, 11 ms (plastic disc) 20 G, 11 ms (glass disc)
Vibration	10 G, 10÷2000 Hz
Bearing life	10 ⁹ revolutions
Bearings	2 ball bearings
Shaft material	stainless steel UNI X10CrNiS1809
Body material	aluminium UNI 5076
Housing material	PA66 glass fiber reinforced
Operating temperature	0÷60 °C
Storage temperature	-25÷70 °C
Weight	350 g