

### Main features

ø 88 through hollow shaft encoder series designed for motors with big shaft.

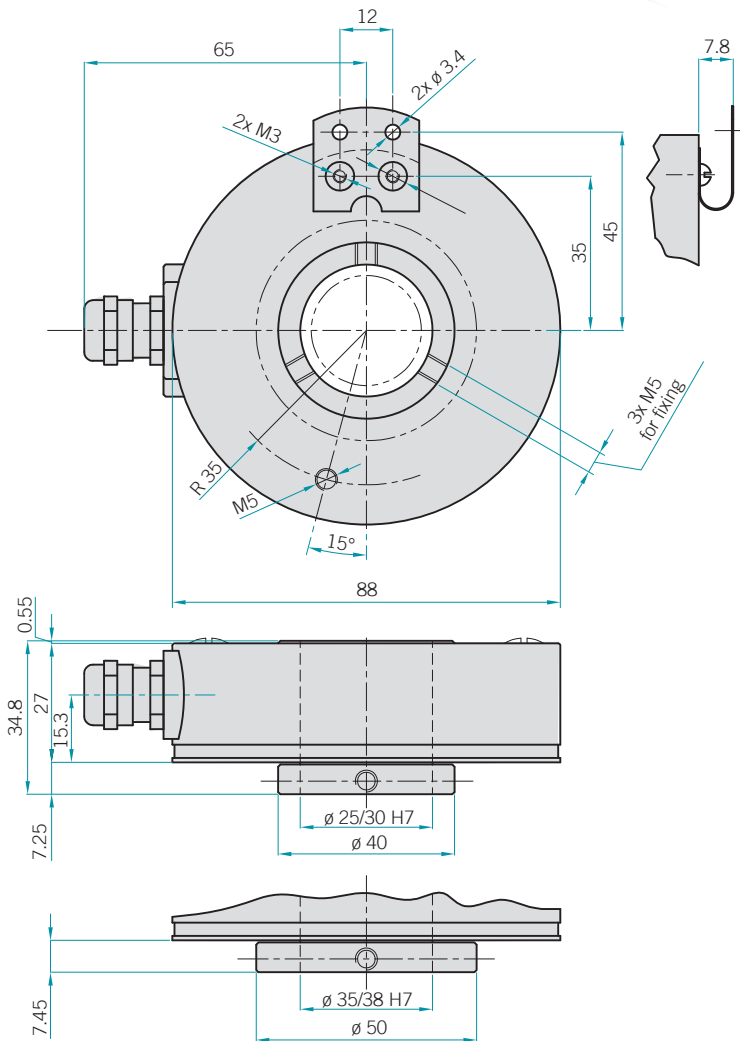
- Up to 38 mm bore diameter
- Easy and steady fixing
- Sturdy mechanics
- Up to 2048 ppr with zero signal
- Several output types available
- Up to 28 V DC power supply
- Up to 100 kHz output frequency
- Up to 3000 RPM rotation speed
- Up to IP54 sealing



### Ordering code

EL 88 P 500 Z 5 L 38 X 3 P R . XXX													
incremental encoder series <b>EL</b>		size <b>88</b>		<b>Type of flange</b> through hollow shaft <b>P</b>		<b>Resolution</b> ppr from <b>1</b> to <b>2048</b> <i>please directly contact our offices for pulses availability</i>		<b>Zero pulse</b> without zero pulse <b>S</b> with zero pulse <b>Z</b>		<b>Power supply</b> 5÷28 V DC <b>5/28</b> <i>line driver available only with 5 V DC or 8÷24 V DC power supply</i>		full stop to separate special versions	
												special version code numbered from 001 to 999	
												<b>R</b> radial	
												<b>P</b> cable output with SKINTOP® (standard length 0.5 m)	
												<b>Max. rotation speed</b> <b>3</b> 3000 RPM	
												<b>Enclosure rating</b> <b>X</b> IP54	
												<b>Bore diameter</b> <b>25</b> ø 25 mm <b>30</b> ø 30 mm <b>35</b> ø 35 mm <b>38</b> ø 38 mm	
												<b>Output type</b> <b>N</b> NPN <b>C</b> NPN open collector <b>P</b> push-pull <b>L</b> line driver <i>please refer to page 92 for optionals about output types</i>	

# EL 88 P



## Electrical specifications

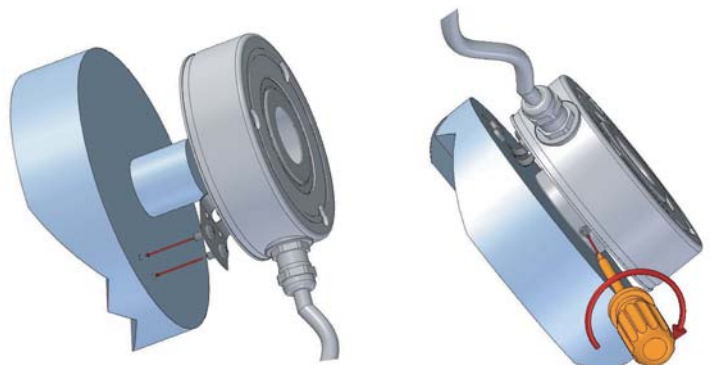
Resolution	from 1 to 2048 ppr
Power supply	5÷28 V DC line driver available only with 5 V DC or 8÷24 V DC power supply
Current consumption without load	100 mA max.
Max. load current	50 mA for channel 20 mA for channel (line driver)
Output type	NPN / NPN open collector push-pull / line driver
Max. output frequency	100 kHz
Operating frequency	$F = \frac{\text{RPM} \cdot \text{Resolution}}{60}$

## Mechanical specifications

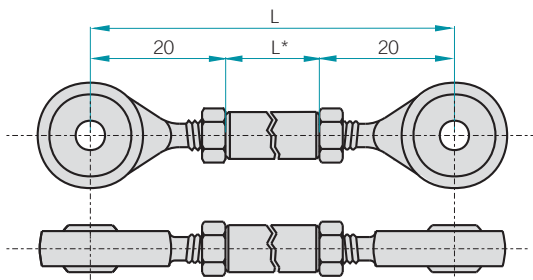
Bore diameter	∅ 25 / 30 / 35 / 38 mm
Enclosure rating	IP54
Max. rotation speed	3000 RPM
Bearings	2 ball bearings
Shaft material	stainless steel UNI X10CrNiS1809 (∅ 35, ∅ 38) aluminium UNI 9002/5 (∅ 25, ∅ 30)
Housing material	aluminium UNI 9002/5
Operating temperature	0÷60 °C
Storage temperature	-25÷70 °C
Weight	350 g

### HOW TO MOUNT IT

- 1) Couple the encoder shaft with the motor shaft.
- 2) Fix the spring to the motor flange without tightening it.
- 3) Fix the encoder shaft by the metal ring.
- 4) Block the spring.



## ACCESSORIES Articulated joints



## Available articulated joints

L* = 30 mm	Ordering code: SN5A30
L* = 60 mm	Ordering code: SN5A60
L* = 90 mm	Ordering code: SN5A90