

Main features

Miniaturized $\varnothing 42$ encoder series for general applications.

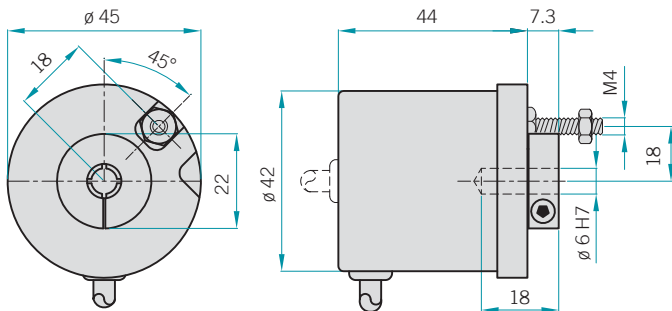
- Up to 2500 ppr with zero signal for EL series
- Different output types available
- Up to 28 V DC power supply
- Up to 100 kHz output frequency
- Cable output. Cable with connector at the end available on demand
- Several flanges available
- Up to 3000 RPM rotation speed
- IP54 sealing



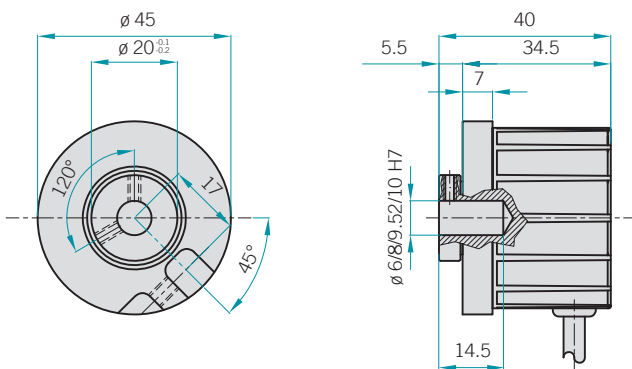
Ordering code

EL 40 G 1000 Z 5/28 P 6 X 3 P R . XXX													
incremental encoder series EL		size 40		Type of flange EL 40 G model G EL 40 GR model GR		Resolution ppr from 1 to 2500 <i>please directly contact our offices for pulses availability</i>		Zero pulse without zero pulse S with zero pulse Z		Power supply 5÷28 V DC 5/28 <i>line driver available only with 5 V DC or 8÷24 V DC power supply</i>		full stop to separate special versions	
										Max. rotation speed 3 3000 RPM		Enclosure rating X IP54	
										Bore diameter 6 \varnothing 6 mm 8 \varnothing 8 mm (EL 40 GR) 9 \varnothing 9.52 mm (3/8") (EL 40 GR) 10 \varnothing 10 mm (EL 40 GR)		Output type N NPN C NPN open collector P push-pull L line driver <i>please refer to page 92 for optionals about output types</i>	
										P cable output (standard length 0.5 m)		R radial A axial XXX special version code numbered from 001 to 999	

EL 40 G



EL 40 GR



HOW TO MOUNT IT

- 1) Fix the anti-rotation pin on the motor flange.
- 2) Couple the encoder shaft with the motor shaft, making sure the pin is inserted on the cave on the frontal part of the encoder (maintaining a minimum distance of 0.5 mm)
- 3) Fix the encoder shaft by the metal ring.

Electrical specifications

Resolution	from 1 to 2500 ppr
Power supply	5÷28 V DC line driver available only with 5 V DC or 8÷24 V DC power supply
Current consumption without load	100 mA max.
Max. load current	50 mA for channel 20 mA for channel (line driver)
Output type	NPN / NPN open collector push-pull / line driver
Max. output frequency	100 kHz
Operating frequency	$F = \frac{\text{RPM} \cdot \text{Resolution}}{60}$

Mechanical specifications

Bore diameter	$\varnothing 6$ mm $\varnothing 8 / 9.52 / 10$ mm (EL 40 GR)
Enclosure rating	IP54
Max. rotation speed	3000 RPM
Max. shaft load	5 N (0.5 kgf) axial 5 N (0.5 kgf) radial
Shock	50 G, 11 ms
Vibration	10 G, 10÷2000 Hz
Bearing life	10 ⁹ revolutions
Bearings	2 ball bearings
Shaft material	stainless steel UNI X10CrNiS1809
Body material	aluminium UNI 9002/5
Housing material	PA66 glass fiber reinforced
Operating temperature	0÷60 °C
Storage temperature	-25÷70 °C
Weight	150 g

