

Main features

∅ 150 through hollow shaft encoder series designed for motors with big shaft.

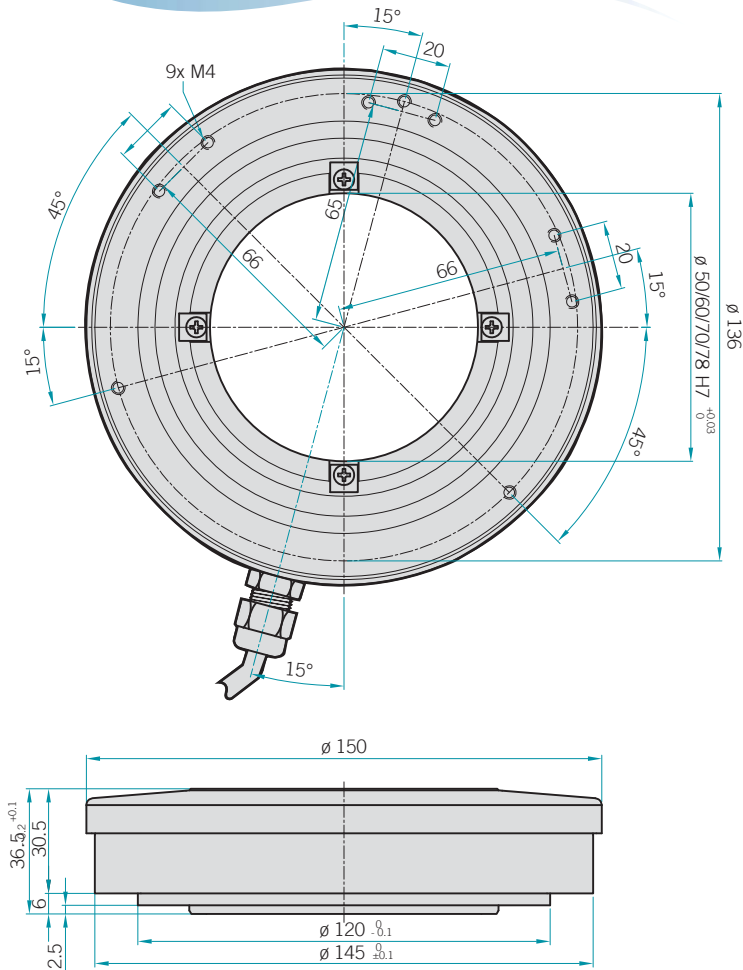
- Up to 78 mm bore diameter
- Easy and steady fixing
- Sturdy mechanics
- Up to 5040 ppr with zero signal
- Several output types available
- Up to 24 V DC power supply
- Up to 100 kHz output frequency
- Up to 1000 RPM rotation speed
- Up to IP65 sealing



Ordering code

EH 150 P 1024 Z 5 N 50 X 1 P R . XXX											
incremental encoder series EH		size 150								full stop to separate special versions	
										special version code numbered from 001 to 999	
										R radial	
										P cable output with SKINTOP® (standard length 0.5 m)	
										Max. rotation speed	
										1 1000 RPM	
										Enclosure rating	
										X IP54 standard	
										S IP65 optional (ideal operating conditions)	
										Bore diameter	
										50 ∅ 50 mm	
										60 ∅ 60 mm	
										70 ∅ 70 mm	
										78 ∅ 78 mm	
										Output type	
										N NPN	
										C NPN open collector	
										P push-pull	
										L line driver	
										<i>please refer to page 92 for optionals about output types</i>	

EH 150 P



Electrical specifications

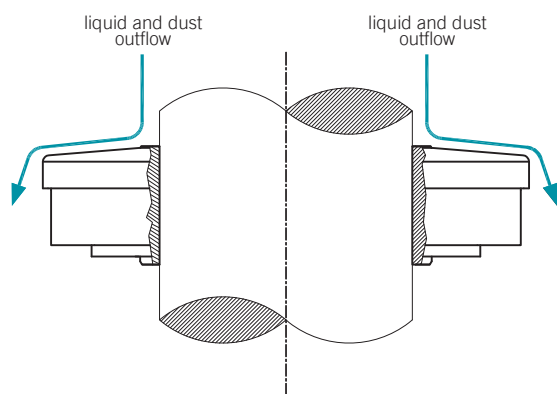
Resolution	from 1024 to 5040 ppr
Power supply	5 V DC 8÷24 V DC
Current consumption without load	100 mA max.
Max. load current	50 mA for channel 20 mA for channel (line driver)
Output type	NPN / NPN open collector push-pull / line driver
Max. output frequency	100 kHz
Operating frequency	$F = \frac{\text{RPM} \cdot \text{Resolution}}{60}$

Mechanical specifications

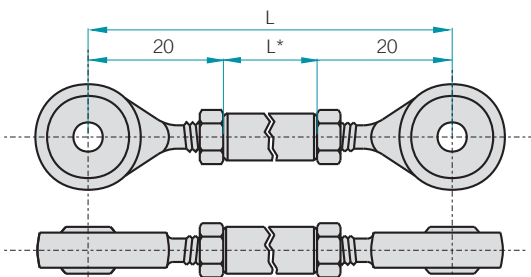
Bore diameter	∅ 50 / 60 / 70 / 78 mm
Enclosure rating	IP54 standard IP65 optional (ideal operating condition)
Max. rotation speed	1000 RPM
Bearings	1 ball bearing
Shaft material	aluminium UNI 9002/5
Housing material	aluminium UNI 9002/5
Operating temperature	0÷60 °C
Storage temperature	-25÷70 °C
Weight	1000 g

Hollow shaft incremental encoders

Ideal operating condition to obtain IP65 protection rating



ACCESSORIES Articulated joints



Available articulated joints

L* = 30 mm	Ordering code: SN5A30
L* = 60 mm	Ordering code: SN5A60
L* = 90 mm	Ordering code: SN5A90

EH 150 P

